

ILLUSTRATED PARTS LIST

GRAVELY GMT ENGINE

R 800.46 - 15 - 2001

(26 H.P. water-cooled 4 cylinder gasoline engine)

Form No. 23117 (4-77)

WWW.OLDGRAVELYS.NET

Printed In USA

GRAVELY R800-46-15-2001

INTRODUCTION

This booklet is designed to help you with the identification of the Teledyne Continental Motors R800-46-2001 engine parts.

When ordering parts, it is advisable to list the engine model and specification or serial number. (This can be found on the nameplate attached to the crankcase.) With this information we can check your order for any incorrect part number. Use part number to assure proper identification.

GENERAL INFORMATION

The following is a list of parts required which should be carried by engine owners for tune-up and regular maintenance. Refer to X30105 Operator's Manual and X30106A Overhaul Manual for service and overhaul instructions.

Replace oil filter No. 22383 when changing oil (after first 50 hours of normal operation). Add 1/2 pint oil for filter.

Cylinder head cover gasket No. 22358 and cylinder head cover nut gaskets No. 22340 should be replaced after 500 hours of normal operation or when making tappet adjustments.

Spark plugs No. 22384, distributor cap No. 23119, rotor, condenser and points (which are available in Distributor Repair Kit No. 23120, to be checked at 250 and 500 hours of normal operation. Replace, if necessary.

Fan belt and alternator drive belt should be checked at 50,250 and 500 hours of normal operation. Replace, if checking or cracking appears.

Hose and tubing are sold in one(1) meter lengths. Customer to cut as required. "A" dimension is approximate to millimeter length required. Example: Part number 22709 is sold in one(1) meter length(1.0936 yard, or 3.2808 feet), cut to 75 millimeter (2-61/64 inches).

Crankshaft bearing caps are furnished with service crankcase only. Piston pin bushings are furnished with connecting rods only. These are not separate service items.

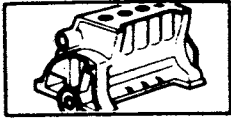
GRAVELY R800-46-15-2001

SERVICE KITS
(ENGINE SETS)

22331	Gasket Set	22330	(A=2.15)Washer, thrust, crankshaft
22580	Top Gasket Set	22893	(A=38) Bearing, rod
22370	Bottom Gasket Set	22349	(A=37.75) Bearing, rod
22345	Piston & Sleeve Kit	22385	Repair Kit, fuel pump
22886	Plate Kit, locking	22594	Brush & Spring Kit, starter
22346	(A=40) Bearing, crankshaft	22392	Solenoid Kit, starter
22348	(A=39.75)Bearing, crankshaft	23121	Repair Kit, distributor
22327	(A=2.0)Washer, thrust,crankshaft	23120	Repair Kit,distributor(incl. spark plugs)
22328	(A=2.05)Washer, thrust,crankshaft	22381	Wiring harness
22329	(A=2.10)Washer, thrust,crankshaft	23122	Distributor Cap Clip Kit
		23123	Repair Kit, carburetor gasket
		23124	Repair Kit, carburetor complete

ILLUSTRATED PARTS INDEX

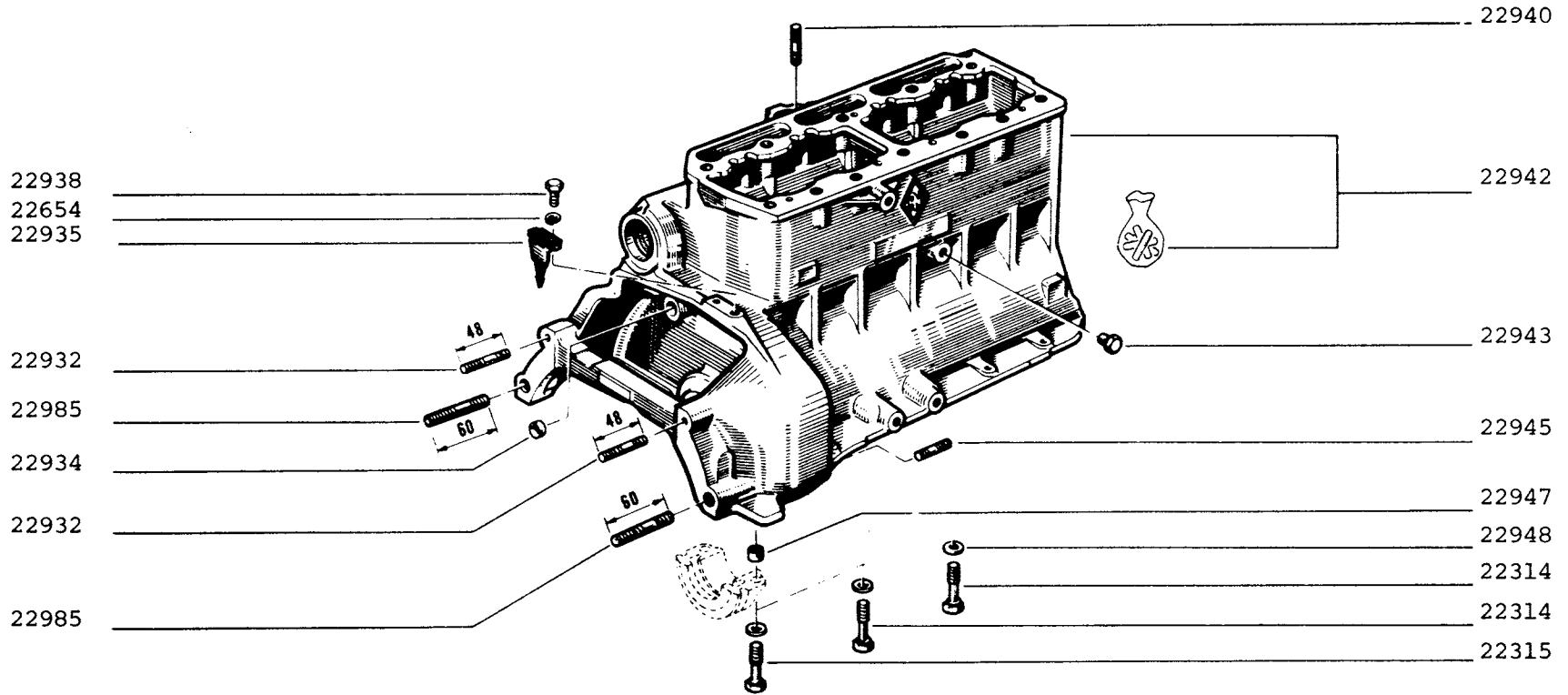
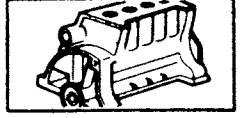
<u>Page</u>	<u>Item Description</u>
14.32	Cylinder Block
14.37	Oil Pan, Dipstick Tube, Timing Case
14.43	Crankshaft, Rod, Piston, Cylinder, Flywheel
14.52	Crankshaft Main Bearing and Thrust Bearing, Connecting Rod Bearing
15.03	Cylinder Head, Rocker Cover and Gaskets
15.12	Camshaft, Timing Chain, Valves, Rocker Arm Assembly
15.19	Exhaust and Intake Manifold
15.29	Carburetor Assembly
15.38	Carburetor Gasket and Repair Kit
15.57	Vacuum Hose and Fitting
16.03	Oil Pump, Oil Filter
17.07	Water Pump and Gasket
17.20	Belt Idler
17.55	Engine Fan Belt and Pulleys
18.20	Alternator Assembly
18.22	Starter Assembly
18.50	Distributor
18.60	Ignition Coil, Spark Plug, Oil and Water Switch, Ignition Wiring, Voltage Regulator
18.80	Alternator Mounting Parts, Distributor Drive Parts
19.20	Pump to Carburetor Fuel Line, Fuel Pump Gasket , Bolts and Washer
19.05	Fuel Pump, Fuel Pump Repair Kit

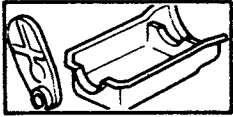


14.32
C P.R. 958

GRAVELY R800-46-15-2001

14.32
C P.R. 958





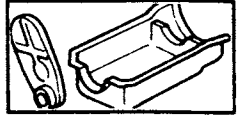
14.37

C P.R.958

GRAVELY R800-46-15-2001

14.37

C P.R.958



22323

22945

22302

22931

22370

22979

22980

22977

22352

22974

22656

22953

22654

22953

22654

22009

22354

22828

22822

22964

22654

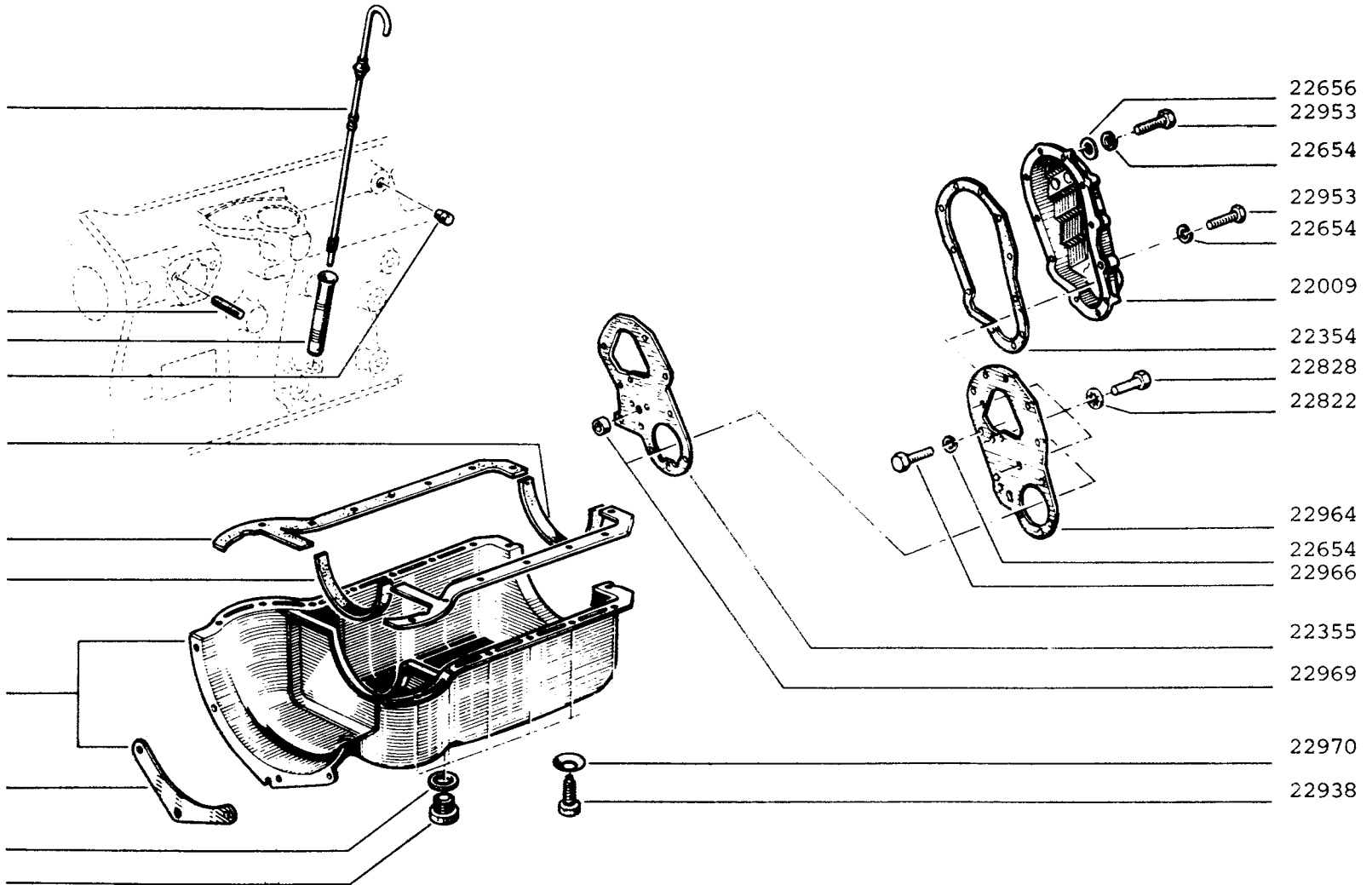
22966

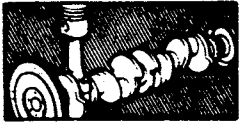
22355

22969

22970

22938





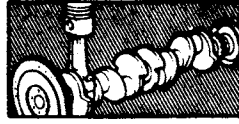
14.43

B P.R. 958

GRAVELY R800-46-15-2001

14.43

B P.R. 958



22336

22337

22341

22345

22888

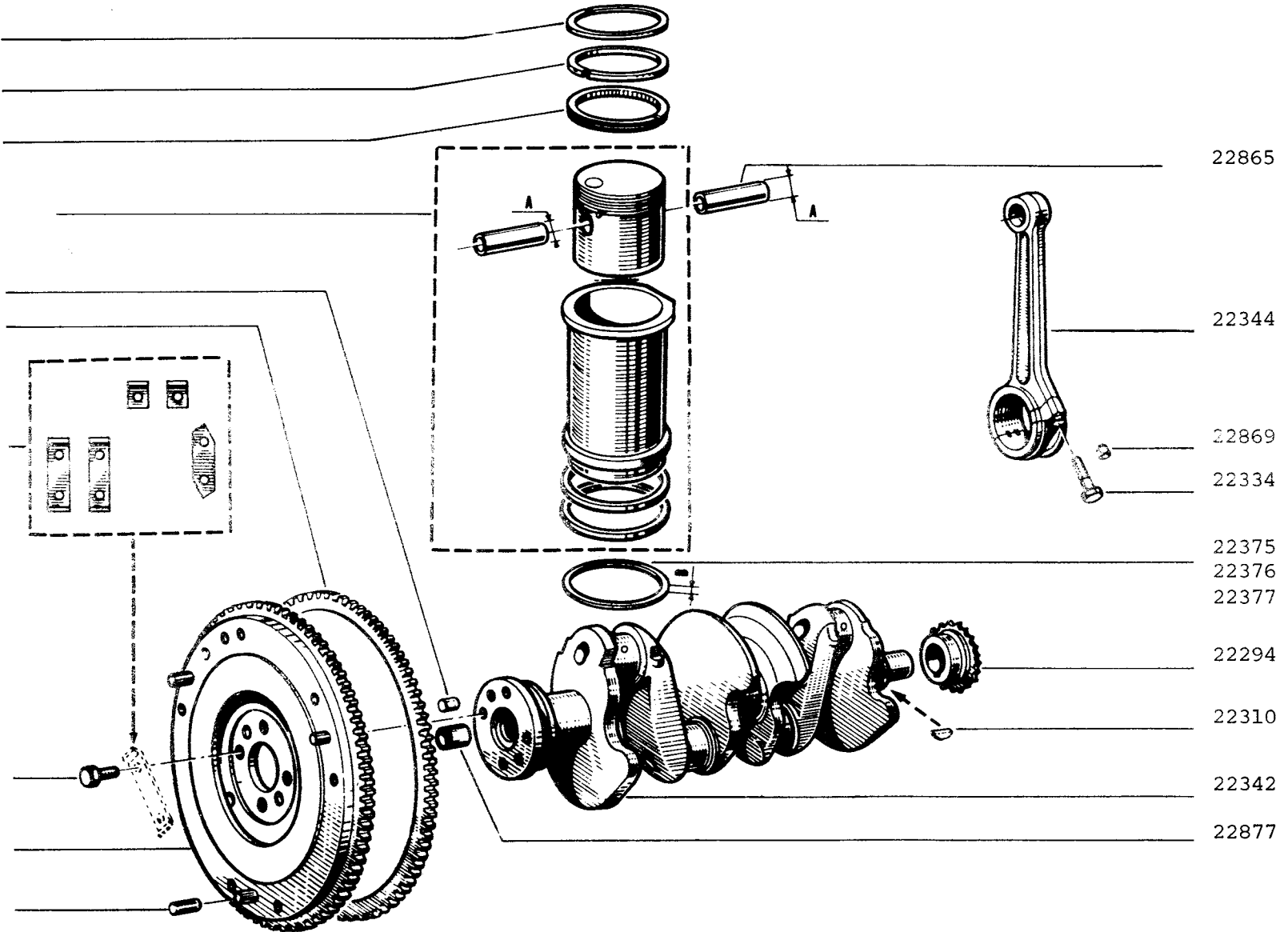
22887

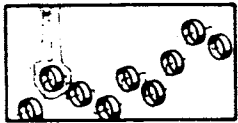
22886

22885

22884

22882

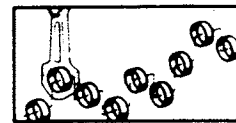




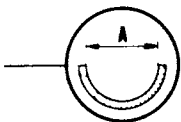
14.52
B P.R. 958

GRAVELY R800-46-15-2001

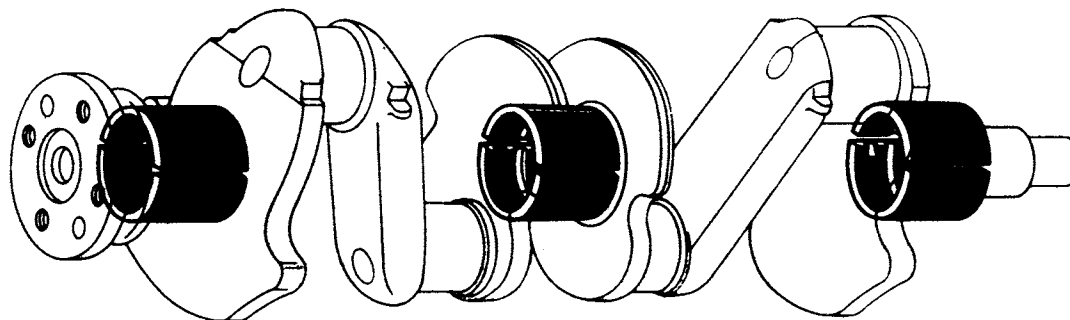
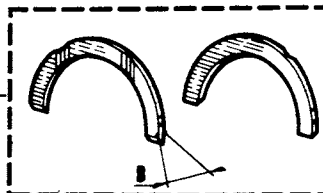
14.52
B P.R. 958



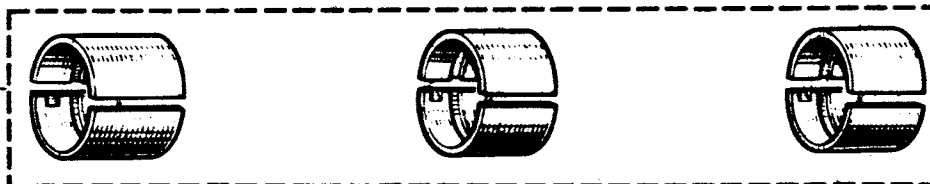
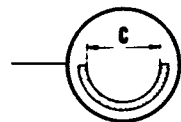
22347
22893
22349



22327
22328
22329
22330



22346
22348





15 .03

C P.R. 958

GRAVELY R800-46-15-2001

15 .03

C P.R. 958



22303
22340
22363

23125

22358
23126
22943

22317 Int.
22318 Exh.

23013

22379

22316

23020

22319
22991
22992

22850
22654

22996

22837

22998

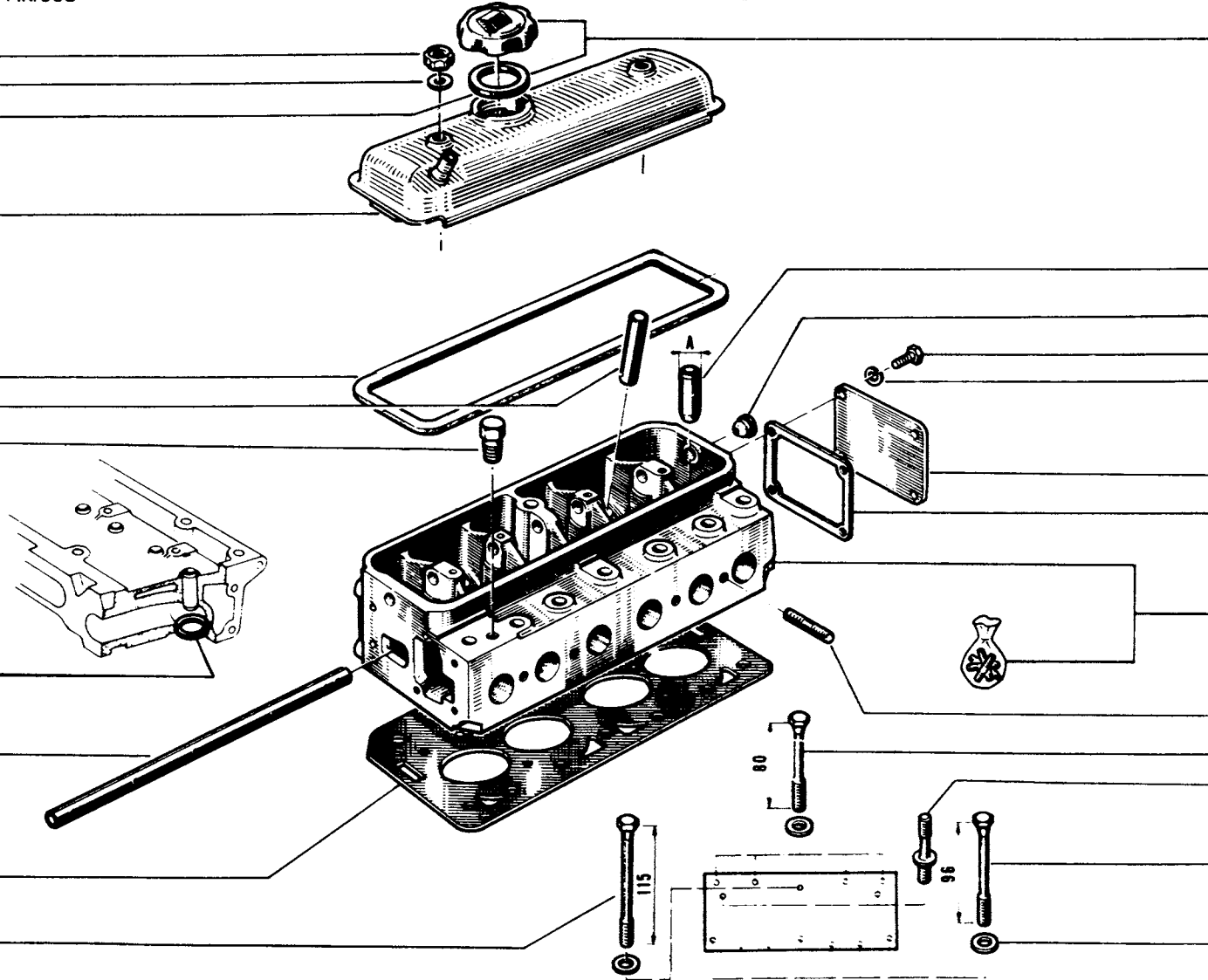
23000

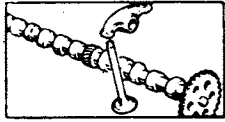
22373

23005

22374

22747

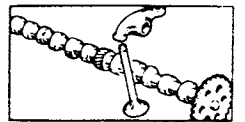




15.12
B P.R. 958

GRAVELY R800-46-15-2001

15.12
B P.R. 958



- 22812
- 22313
- 22289
- 22810
- 22288
- 22296
- 22297
- 22308
- 22804
- 22298
- 22324

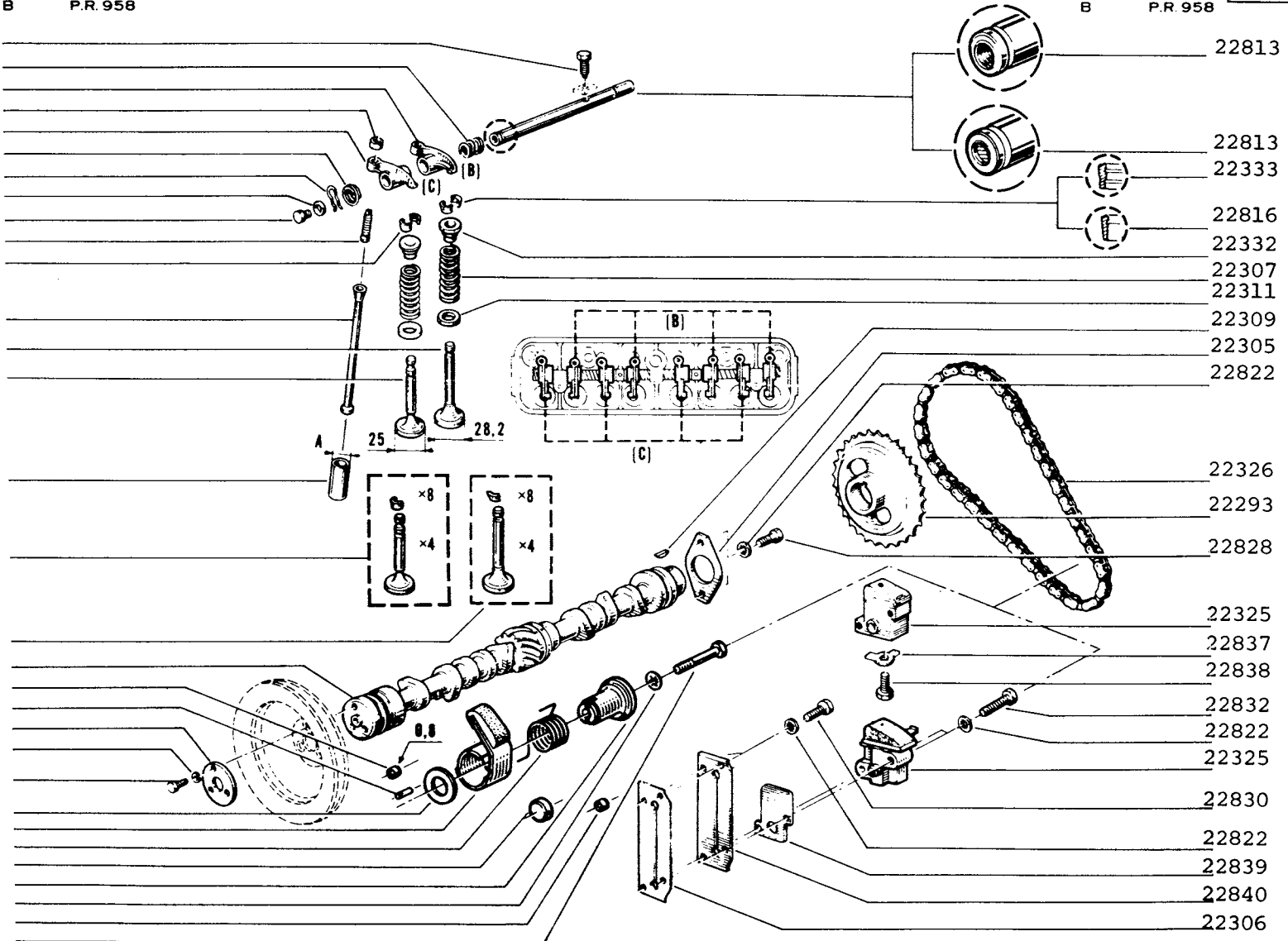
- 22301
- 22291
- 22290

- 22338
- 22857
- 22858

- 23127

- 23128
- 22286
- 23129
- 22848
- 22854
- 22654
- 22850

- 22847
- 22846
- 22845
- 22849
- 22844
- 22843
- 23130
- 22842



- 22813
- 22813
- 22333
- 22816
- 22332
- 22307
- 22311
- 22309
- 22305
- 22822

- 22326
- 22293
- 22828

- 22325
- 22837
- 22838
- 22832
- 22822
- 22325

- 22830
- 22822
- 22839
- 22840
- 22306

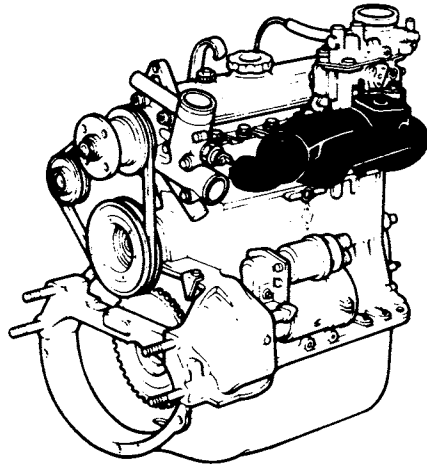


15 . 19
 B P.R. 958

GRAVELY R800-46-15-2001



15 . 19
 B P.R. 958

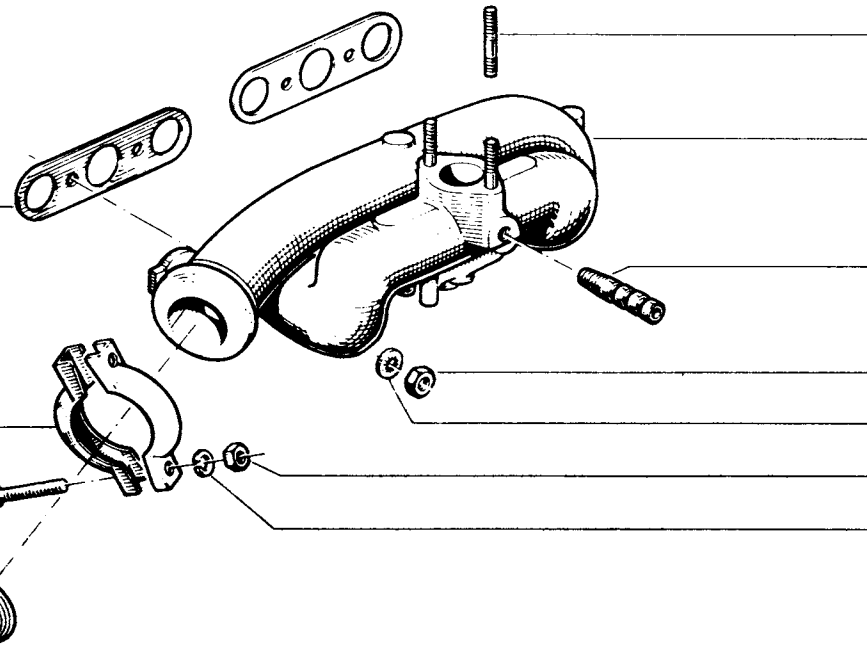


22360

22304

22799

22321



22785

23131

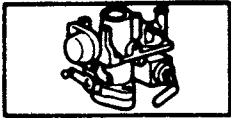
22787

22789

22791

22794

22669



15.28

A P.R. 958

GRAVELY R800-46-15-2001

15.28

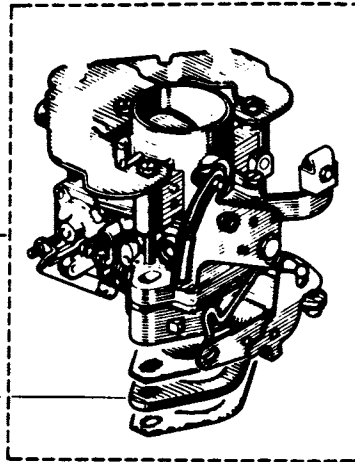


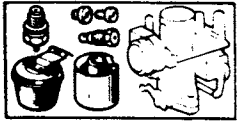
A P.R. 958

23132

686

23133

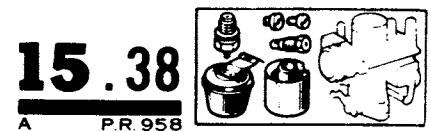




15.38

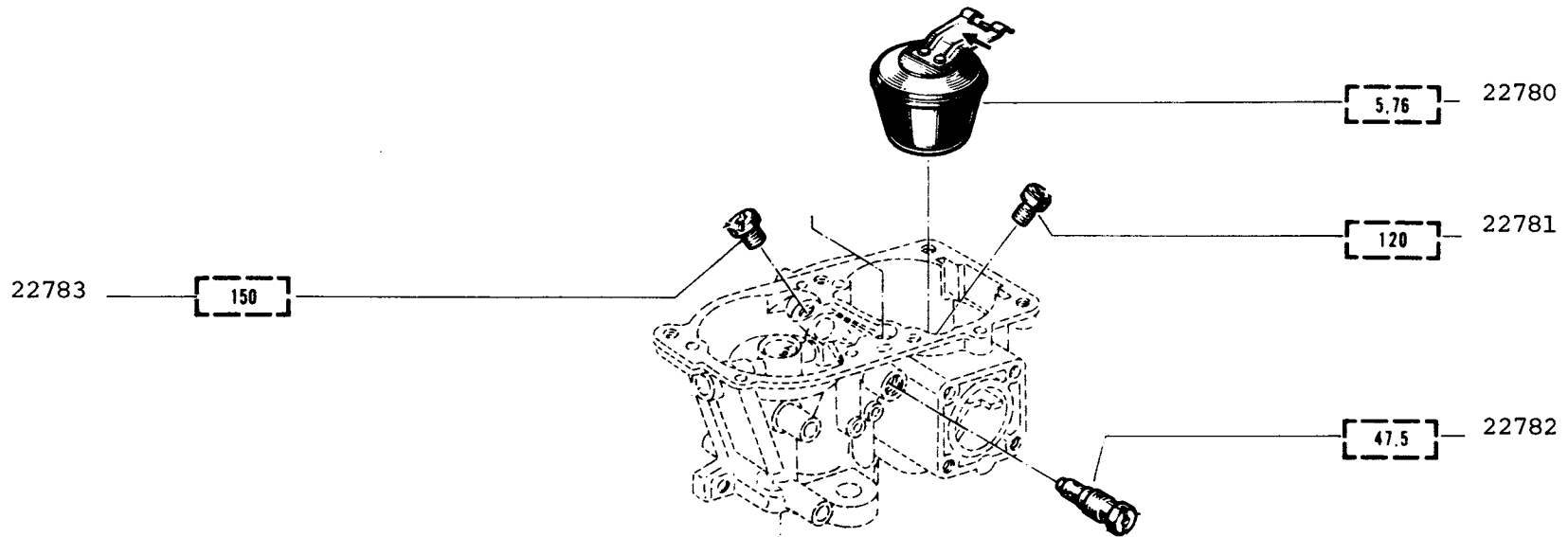
A P.R. 958

GRAVELY R800-46-15-2001



15.38

A P.R. 958



23123 Repair Kit, carburetor (gaskets only)
 23124 Repair Kit, carburetor complete

32032
 CARB. KIT w/ VALVE
 AS PER NEEDLE & SEAT
 MATT BROWN JETS
 GASKETS



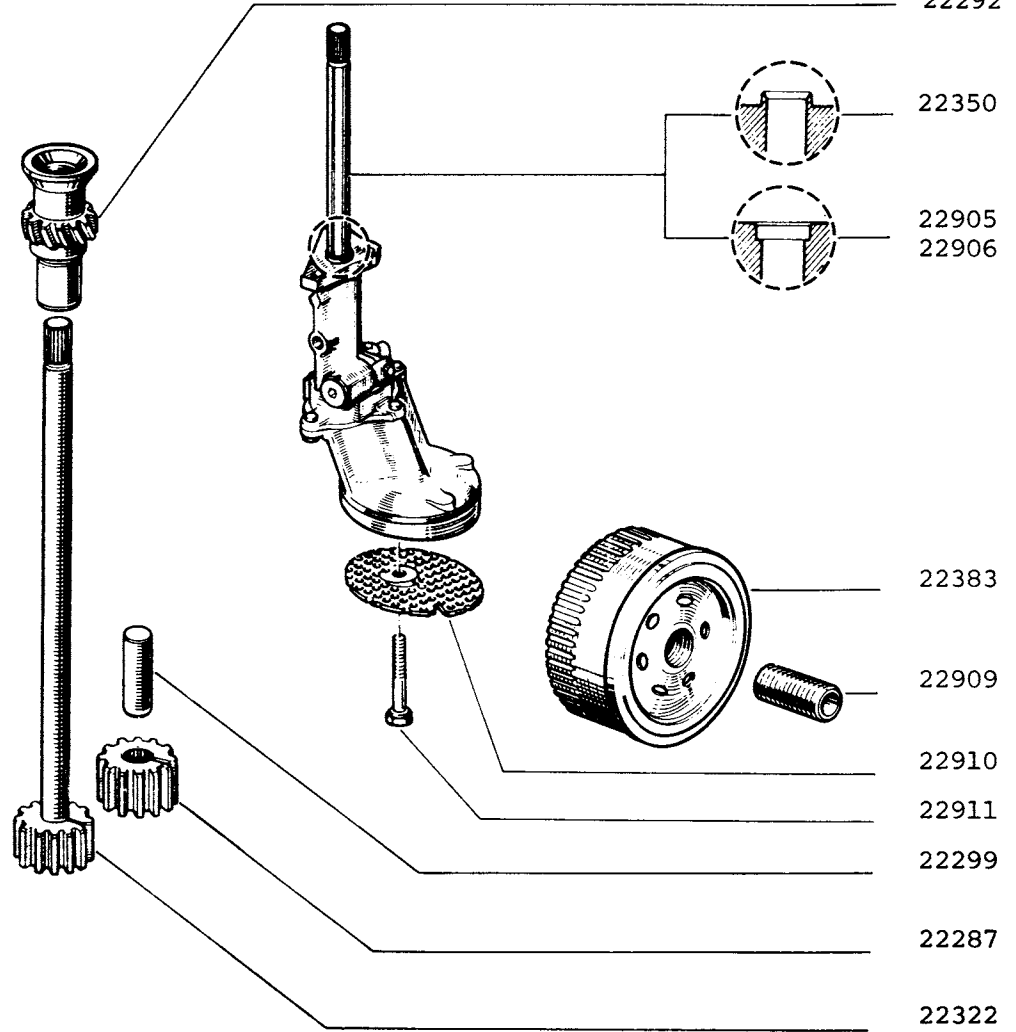
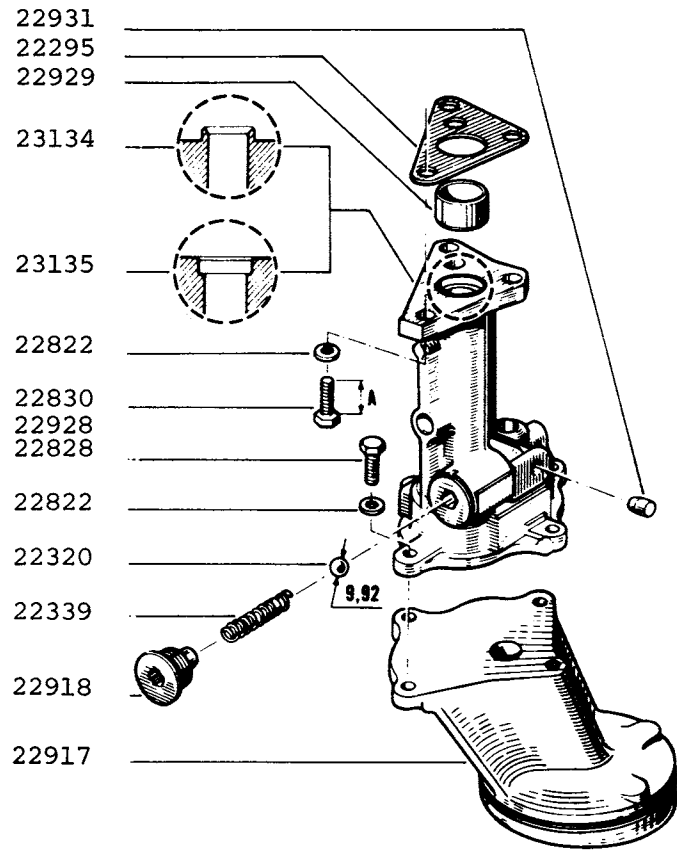
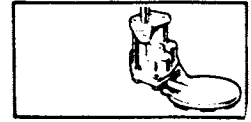
16.03

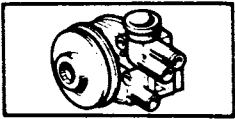
P.R. 958

GRAVELY R800-46-15-2001

16.03

P.R. 958

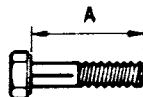
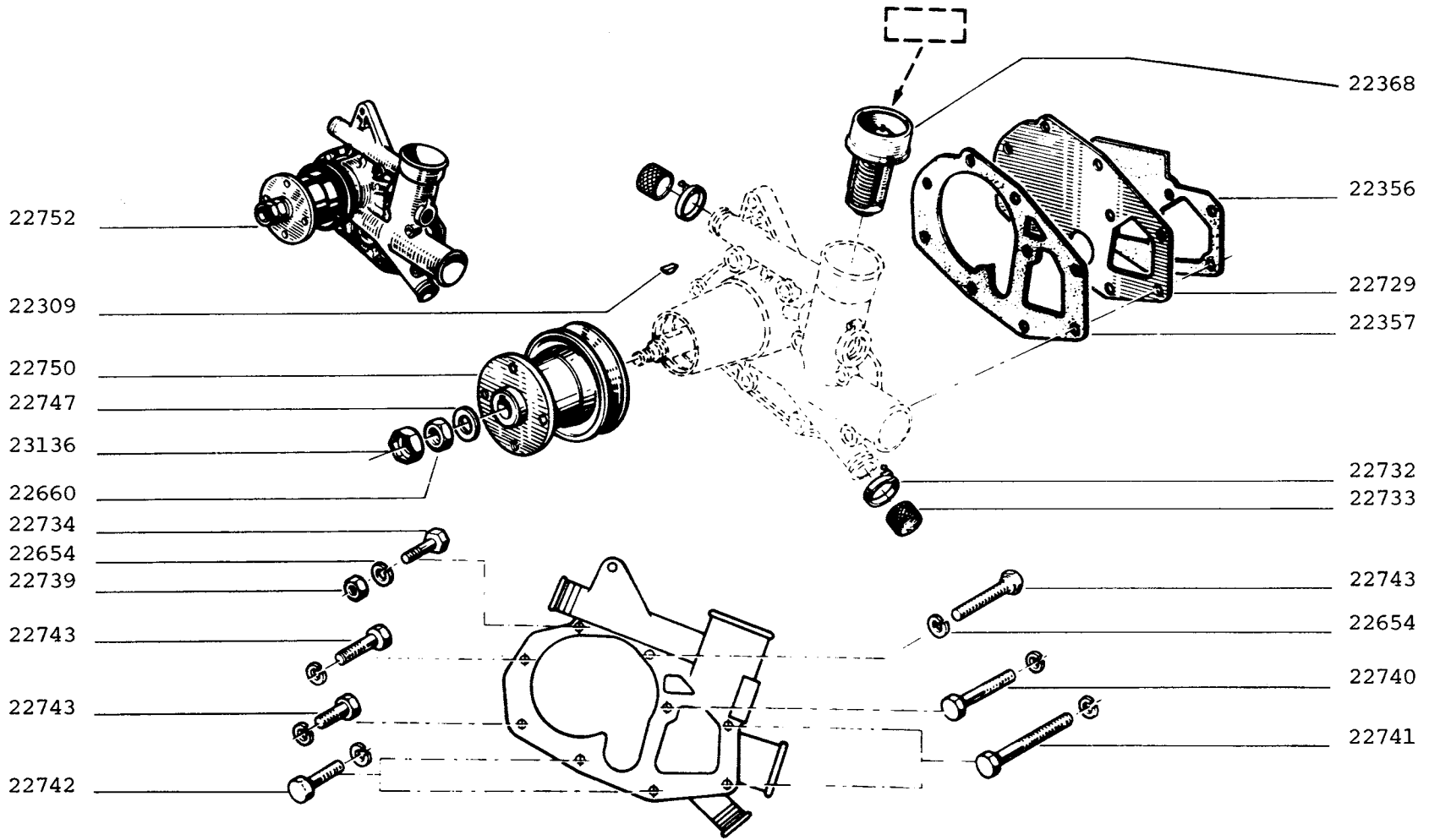
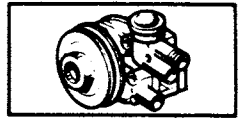




17.07
C PR 958

GRAVELY R800-46-15-2001

17.07
C PR 958

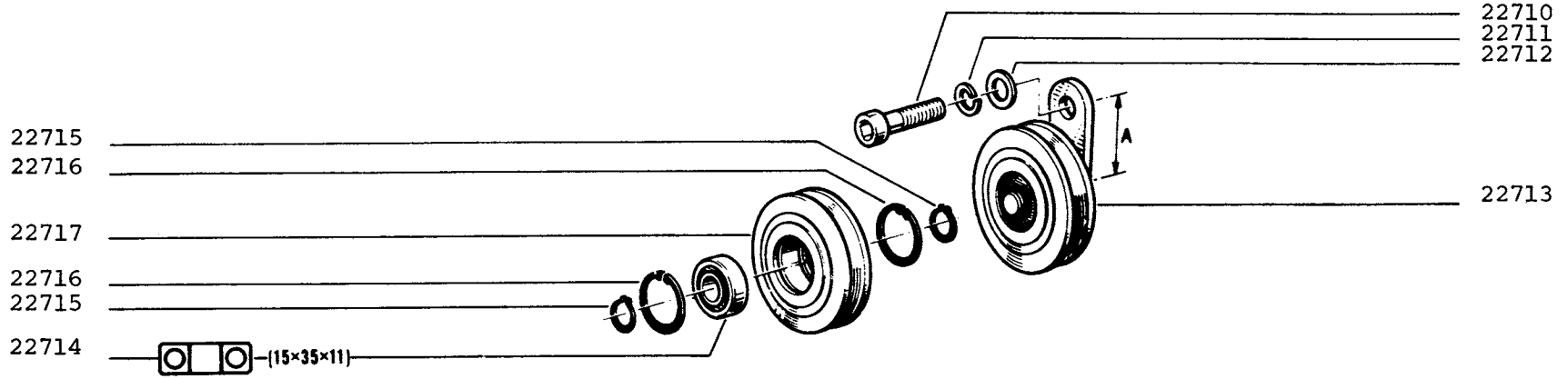




17.20
C P.R.958

GRAVELY R800-46-15-2001

17.20
C P.R.958



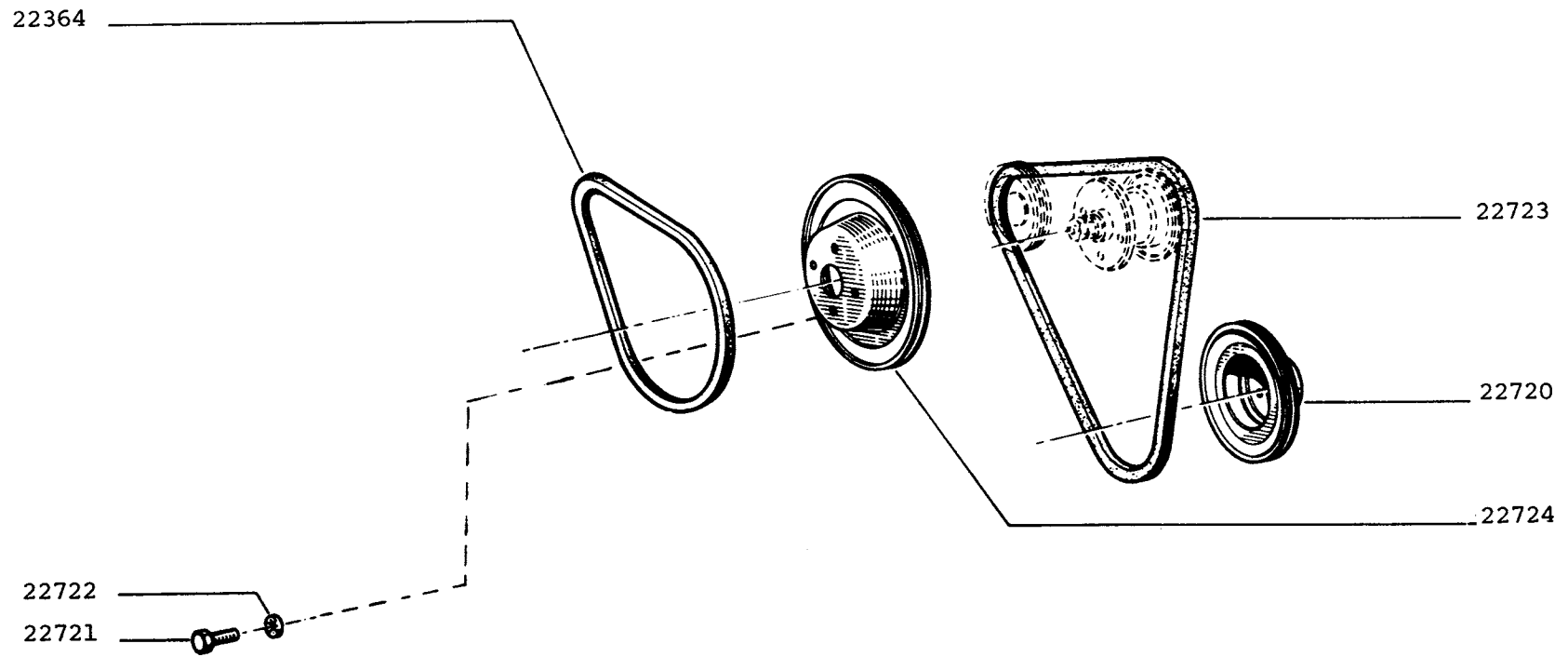


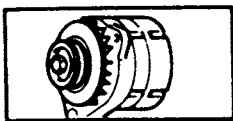
17.55
C P.R. 958

GRAVELY R800-46-15-2001



17.55
C P.R. 958





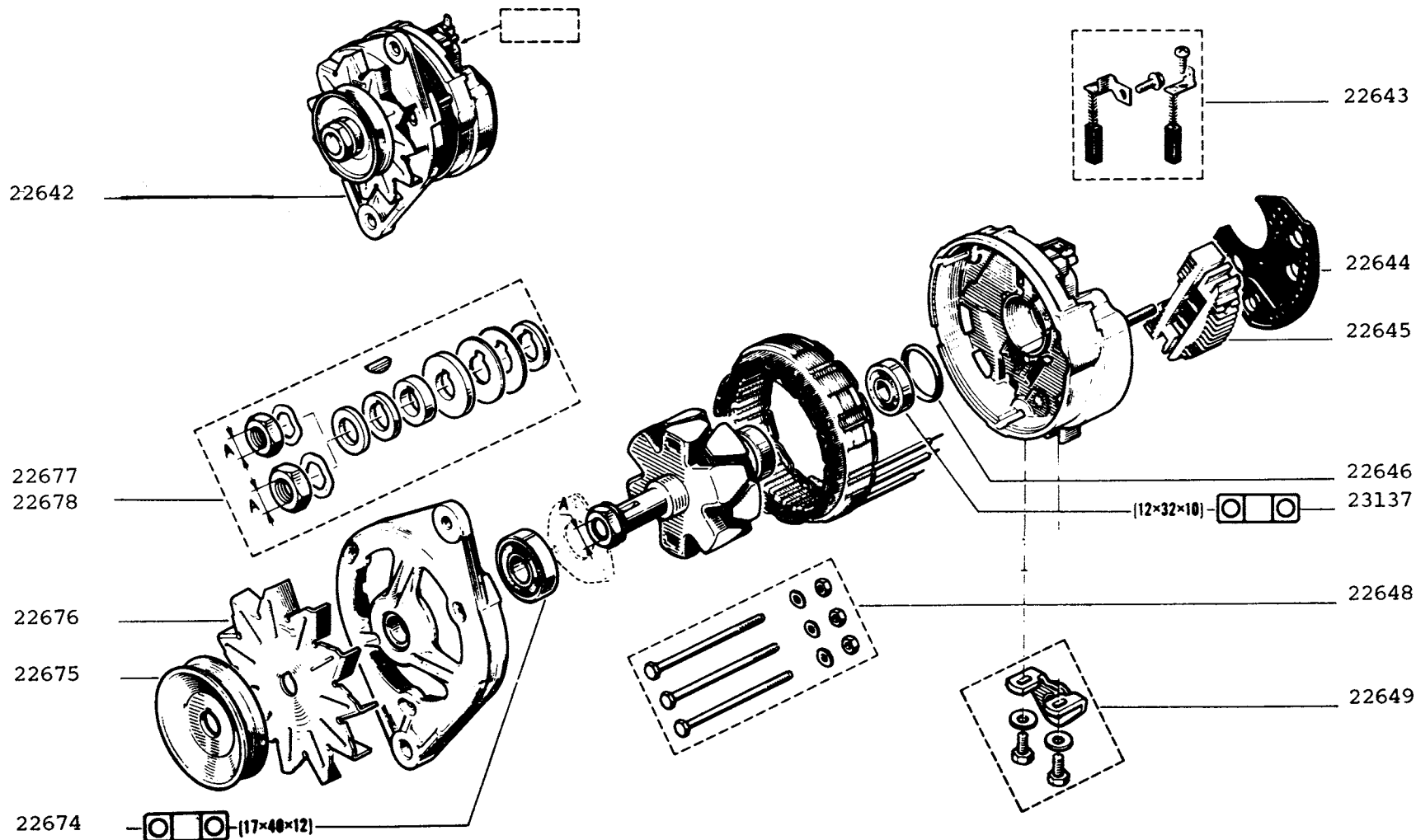
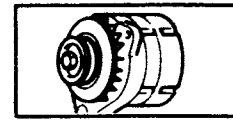
18.20

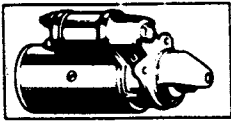
A P.R. 958

GRAVELY R800-46-15-2001

18.20

A P.R. 958





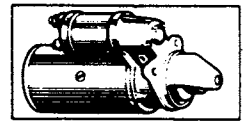
18 .22

A P.R. 958

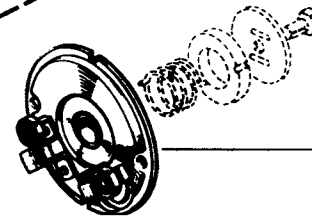
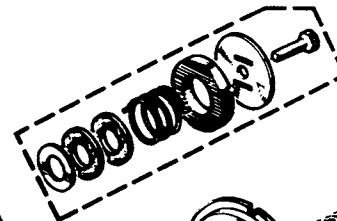
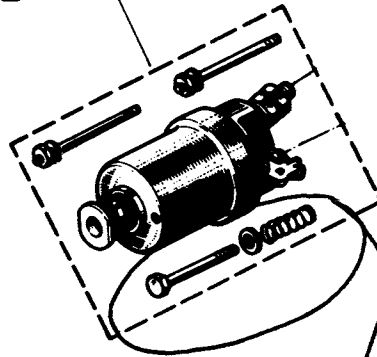
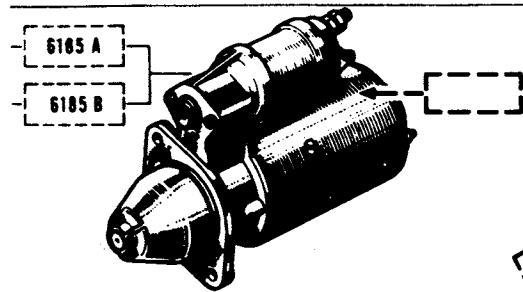
GRAVELY R800-46-15-2001

18 .22

A P.R. 958



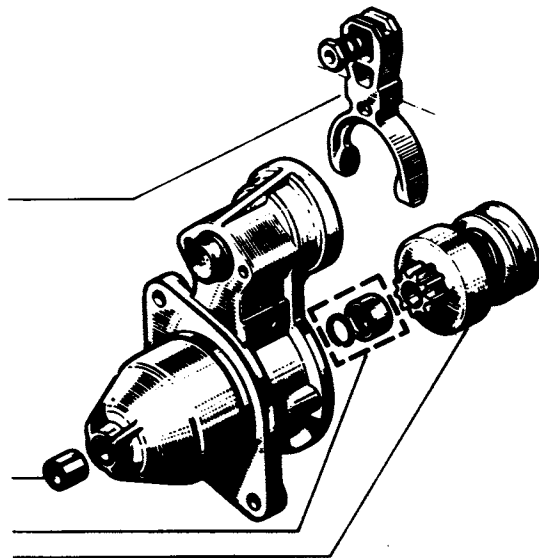
22392
22372
22372



22679

22681

22693

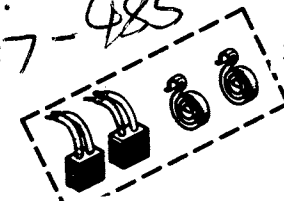


22690

22692

22691

Cont. 485
7701-007-485

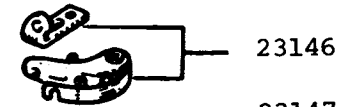
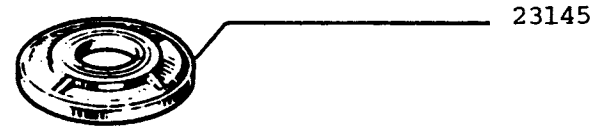
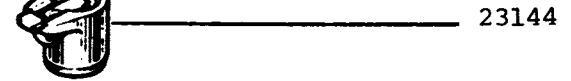
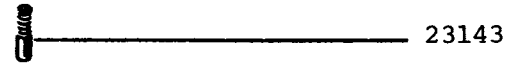
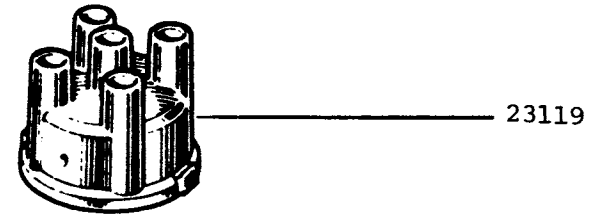
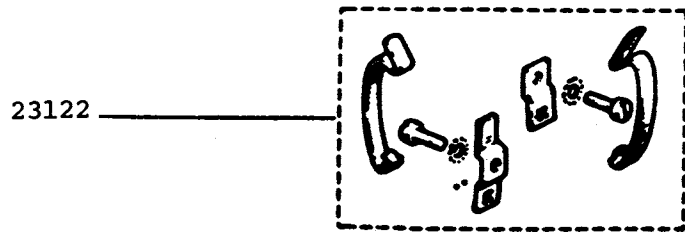
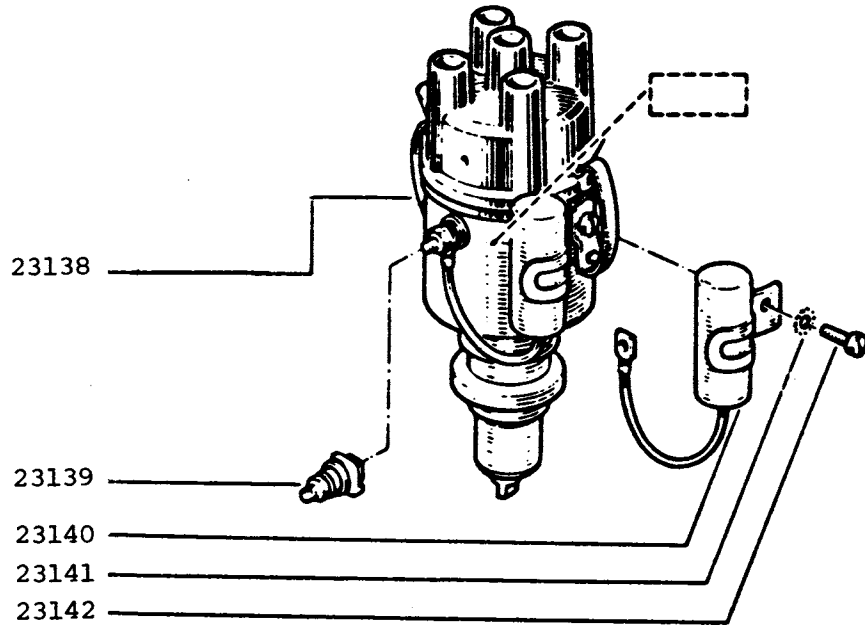


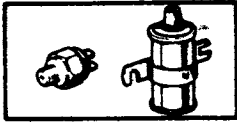
22594



18.50
A PR

GRAVELY R800-46-15-2001

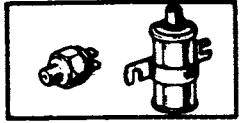




18.60
B P.R. 958

GRAVELY R800-46-15-2001

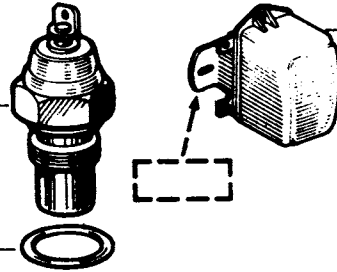
18.60
B P.R. 958



21712

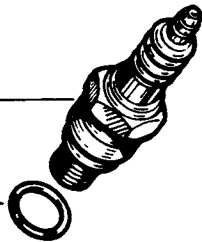
22640

WATER

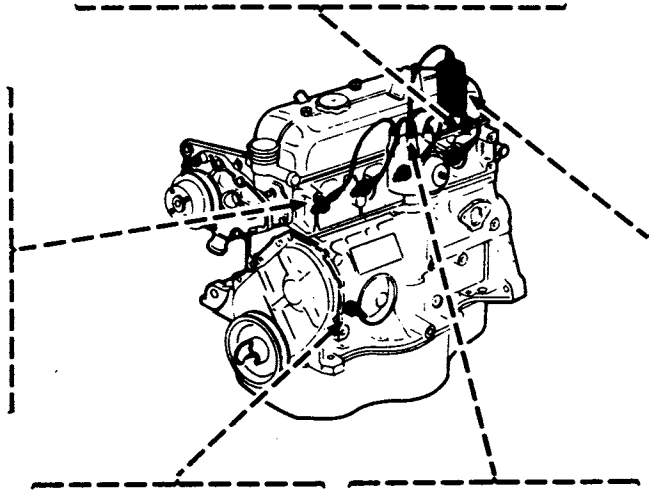


22352

22384



22353

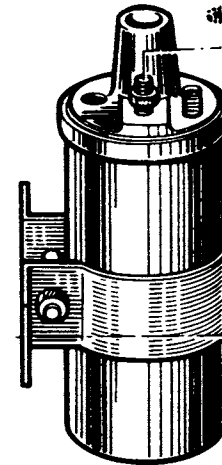


22622

22365

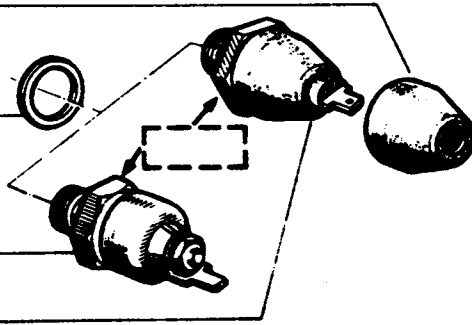
22739

22822



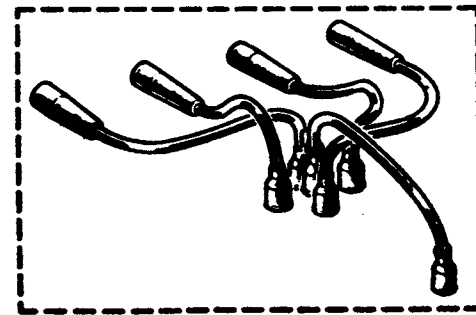
22631

22359



22632

22632



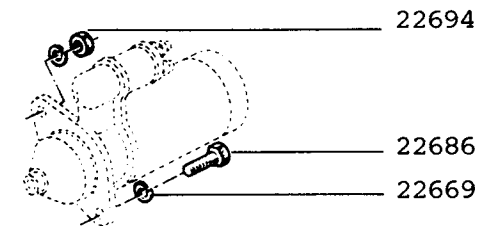
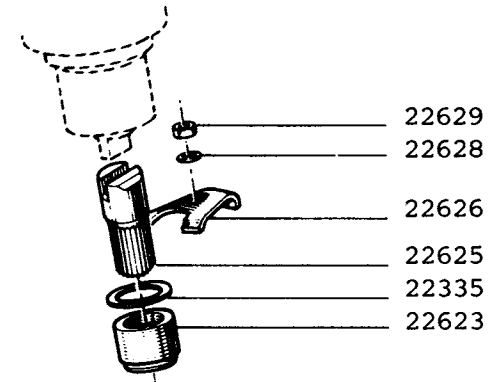
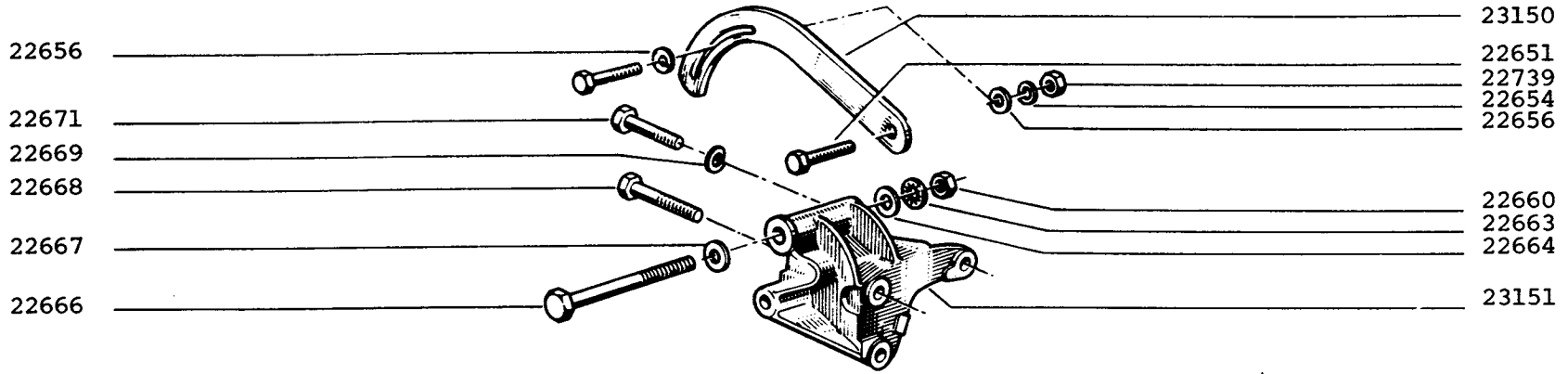
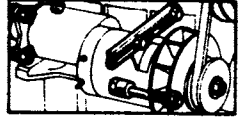
22381

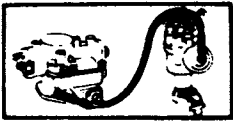


18 .80
C P.R. 958

GRAVELY R800-46-15-2001

18 .80
C P.R. 958





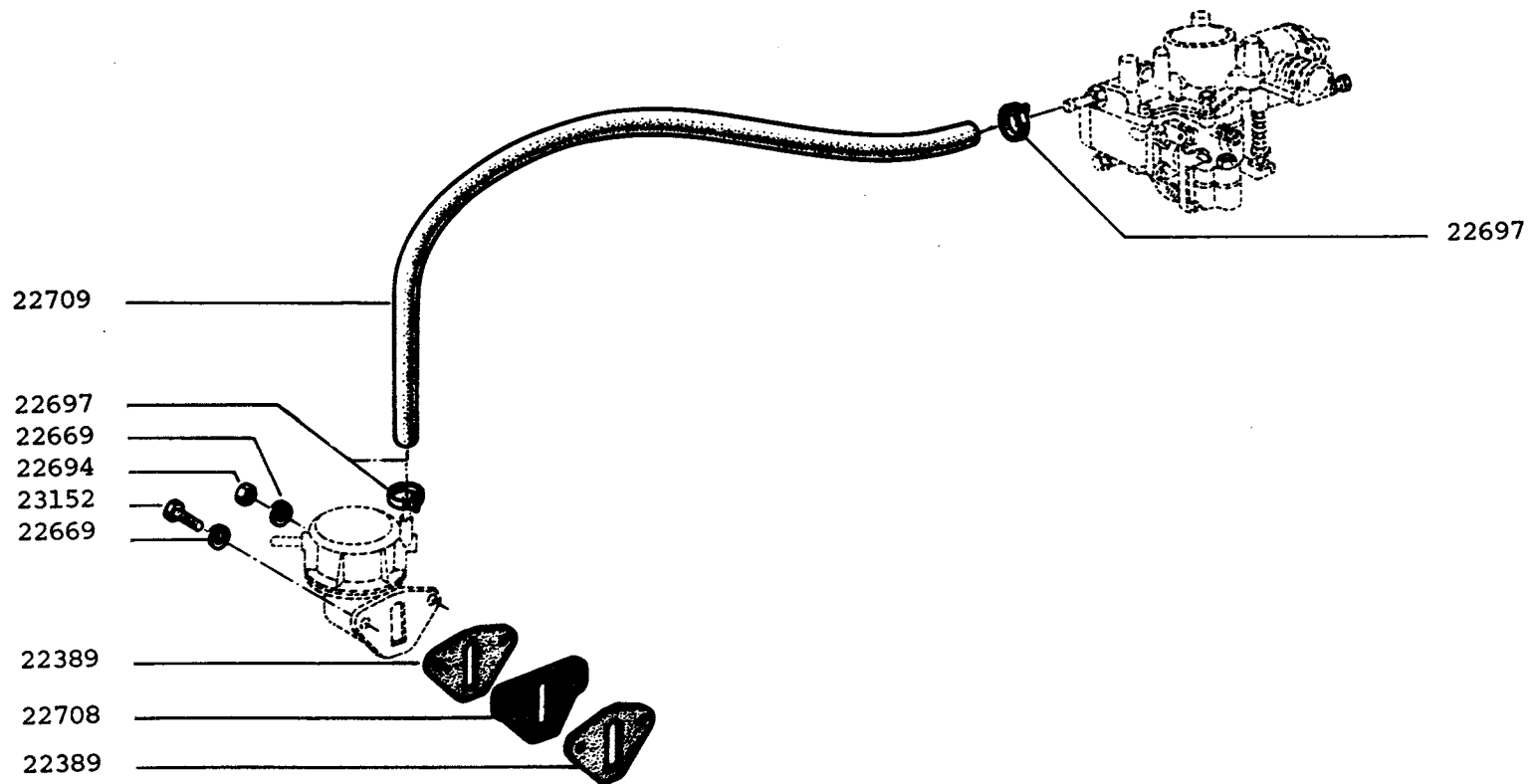
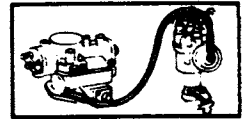
19.20

B P.R. 958

GRAVELY R800-46-15-2001

19.20

B P.R. 958





19.05
A P.R. 958

GRAVELY R800-46-15-2001



19.05
A P.R. 958

